

# WiselImage

for AutoCAD

**CSoft**

## What is WiseImage for AutoCAD?

WiseImage for AutoCAD solves the problem of editing and enhancing scanned raster data into a CAD environment. It is an AutoCAD application for raster editing, raster-to-vector conversion and drawing revision. WiseImage enables you to make quick changes, do editing and correction or automatic and semi-automatic raster-to-vector conversion of scanned technical drawings, maps, plans, drafts, sketches and other graphics. It blends raster and vector with CAD functionality and image processing capabilities perfectly, everything in one single application.

- ✓ Supports AutoCAD 2025, 2024 & 2023
- ✓ CAD-style raster processing
- ✓ Ultimate image enhancement tools
- ✓ Automatic and semi-automatic R2V conversion
- ✓ Inbuilt OCR for text conversion
- ✓ Built-in scanning module
- ✓ Advanced PDF engine

### WiseImage features

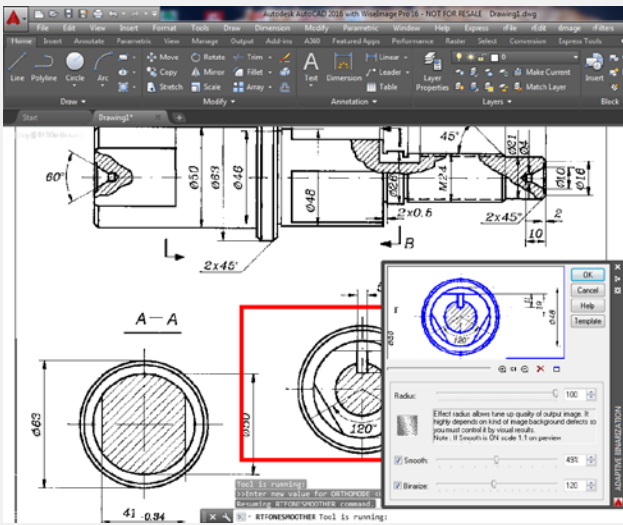
All WiseImage commands are perfectly integrated into the AutoCAD environment. AutoCAD's CAD functionality combined with WiseImage's high-end image processing, results in a strong synergetic AutoCAD that is capable of processing scanned drawings, satellite imagery, or other raster files as the best image processing application. Raster-to-vector conversion and map digitizing has never been easier.

### Raster editing

Large format scanners produce superior black and white, greyscale, or color raster images. To excellently transfer scanned drawings to CAD and do the raster editing, well-organized post-processing software is needed; the ultimate solution is WiseImage for AutoCAD. WiseImage for AutoCAD having image clean-up, correction, calibration, bit-depth reduction and raster to vector conversion eliminate monotonous and time-consuming manual processes.

### High quality image processing with precision

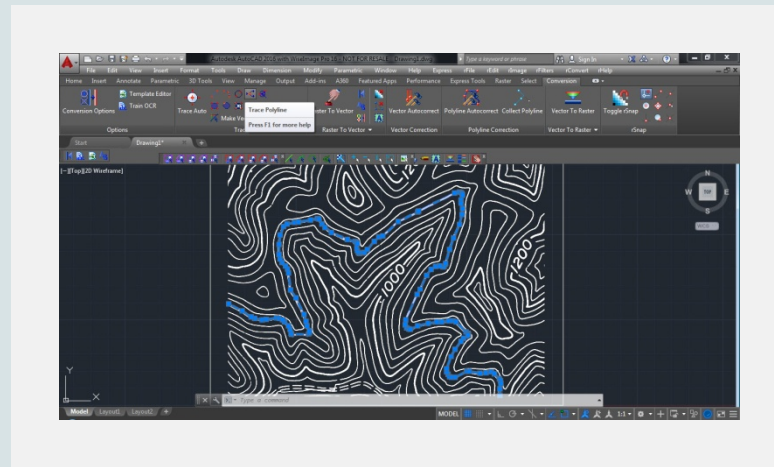
Exact calibration is essential when processing scanned drawings. WiseImage for AutoCAD having multiple options for selecting the most suitable method, importing coordinate values or assigning point positions manually. High quality transformation algorithms provide very accurate results. Full colour images are huge so it is vital to minimize image sizes. WiseImage can do this without any loss of information. Coloured areas can be combined with the help of this technology the number of colours in an image can be reduced from millions to tens.



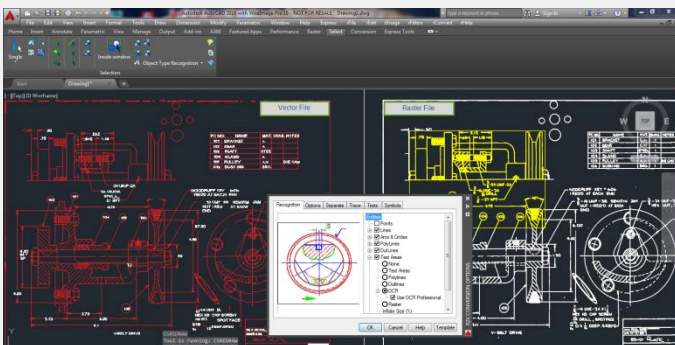
In Wiselimagefor AutoCAD tools it is possible to crop, change resolution, scale, deskew, and calibrate colour and greyscale raster images. It is possible to change brightness, contrast, hue and saturation and adjust the colour gamut, improve image quality and apply colour. Users can rasterize vectors to generate ISO compliant raster as often required for compliancy purposes. Merging monochrome and colour images is also a one-click task.

## Intelligent raster objects and tracing

Wiselimage tools has several advanced options for working with raster and vector data. One such option is the unique technology to select raster objects and separate them into layers. This feature is based on the intelligent selections and the smart WiseObject (text, hatches, and lines) selection. Wiselimage has an advanced tracing function (semi-automatic-interactive raster to vector conversion) also for colour, grey scale or monochrome images.



In addition to easy detailed objects tracing in Wiselimage, it is possible to trace raster shapes that correspond with vector objects. Select a raster shape and Wiselimage will automatically match it to the appropriate vector object from a default Symbol Library or a customized library created to match user requirements. The polyline tracing feature includes auto-detection of tracing direction.



## Automatic raster-to-vector conversion (Pro)

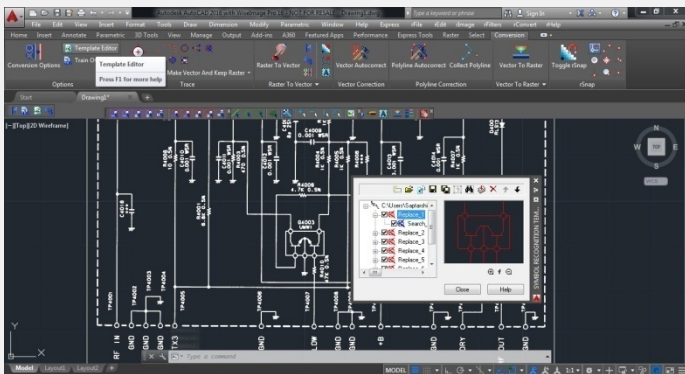
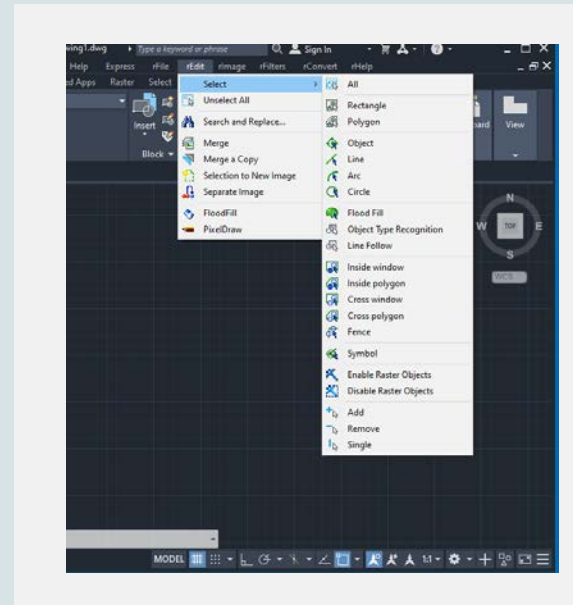
When applying automatic vectorization, the user needs to set recognition parameters before starting the procedure. Wiselimage for AutoCAD recognizes and converts to corresponding vector objects raster lines, arcs, circles, symbols, points, polylines, outlines, hatches and text. The program also recognizes raster line types, widths and dimension arrows.

The results of automatic vectorization often requires further correction- this can be done automatically with tools that will merge vector fragments, create orthogonal lines, and round objects widths to specified values. Resulting vector objects can be separated by weight, AutoCAD layers and colour. During automatic raster-to-vector conversion WisedImage for AutoCAD converts raster text to AutoCAD text entities. It is also possible to convert raster text to polylines or outlines. Text recognition is provided by inbuilt OCR Engine. You can also use external OCR modules.

## Selection Tools in WisedImage for AutoCAD

WisedImage has several advanced options for working with raster and vector data.

One of them is the unique technology to select or separate raster objects into other layers, which is based on intelligent selections and a brand new selection engine including the smart WiseObject (text, hatches, lines) selection.

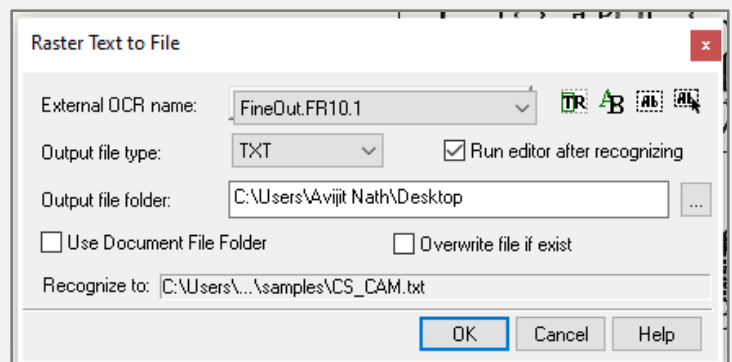


## Working with Symbols

This feature is complimentary to the well-known Symbol Search-and-Replace feature of WisedImage.

## Table export

Perform vectorization of text from raster file using the Abby FineReader OCR. The text file can be stored in different formats like RTF, HTML, XLS, PDF, TXT, XMLA, PDF/A, DOCX, XLSX, PPTX, ALTO, EPUB and FB2.



Setting up the Raster2File can be performed in the **Conversion Options**

## Fine OCR/OCR Professional

Besides native text recognition engine, WiselImage allows you to use additional OCR modules from third-party firms (OCR modules are intended to recognize texts on raster images). By default, WiselImage includes FineReader **OCR engine** by ABBYY Company.

